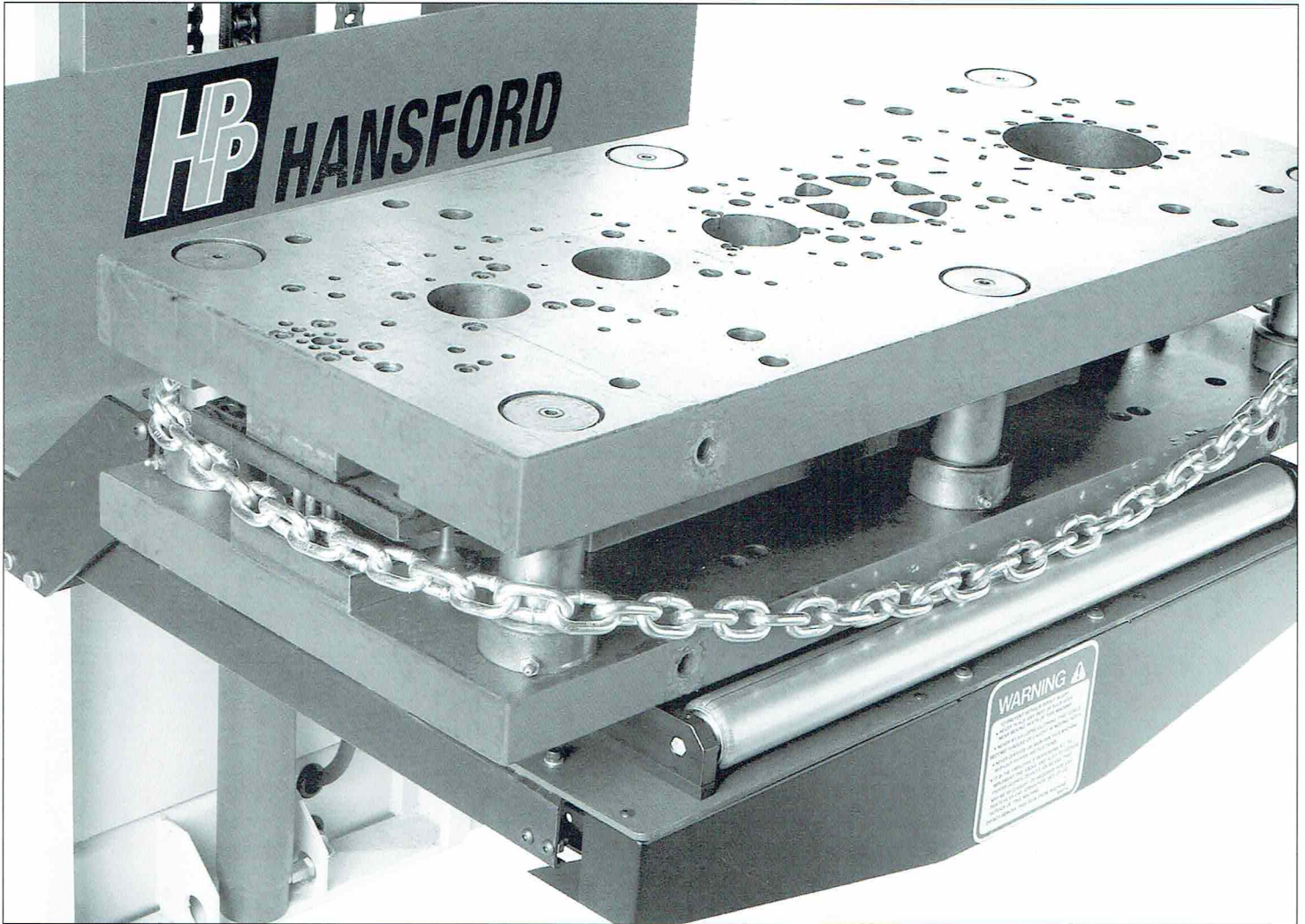




Back-Saving Die Handling

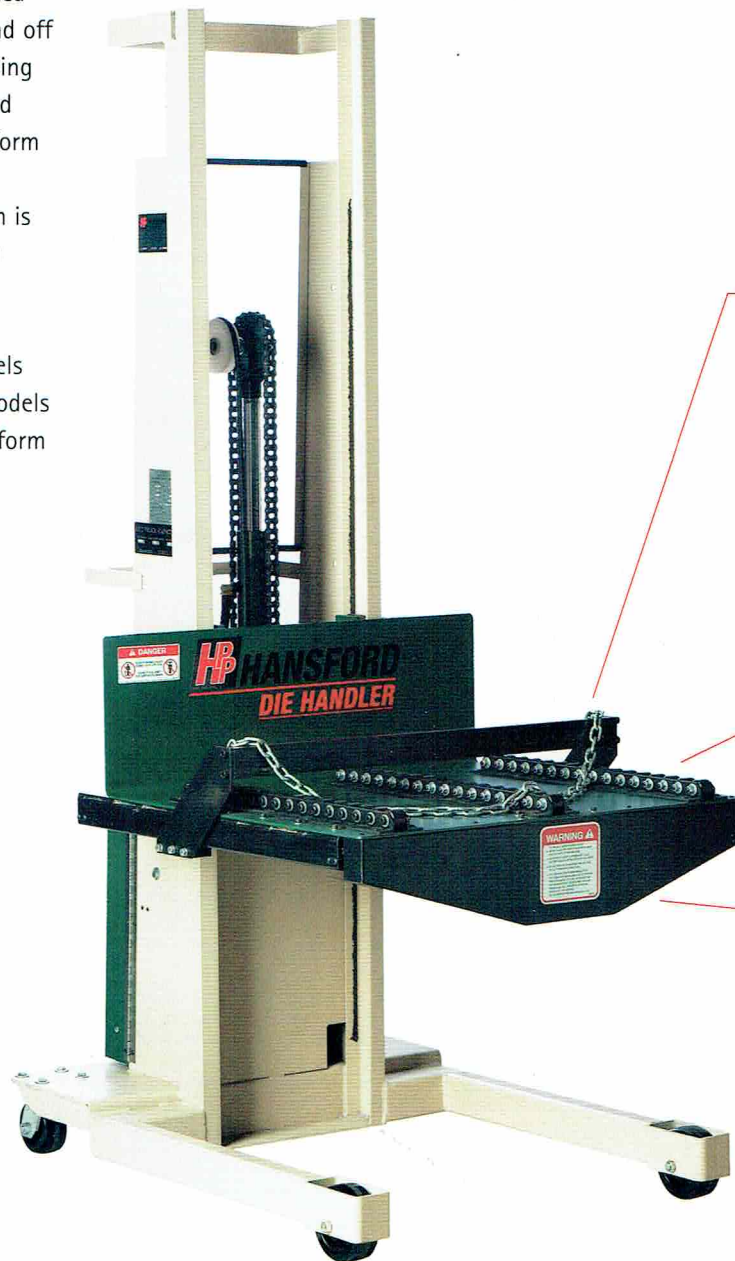


MANUAL WALK BEHIND

These labor-saving units will load and unload dies under power while significantly reducing back strain associated with pushing and pulling dies on and off shelves. Being battery powered, raising the platform along with pushing and pulling die sets on and off the platform is virtually effortless. We offer two series to choose from: (MWB) which is manually moved around, and (PWB) which is powered to accommodate heavier die sets. Built-in battery chargers are standard on both models for convenience of operation. All models are available with one of three platform styles to choose from.

Features

- 1,000 lbs. capacity at 18" load center
- Platform is welded unitized construction for strength and safety
- Roller lift chain with over 9,000 lbs. yield
- Floor lock is standard
- 2" wide phenolic wheels are standard
- Acrylic safety shield provides operator with unobstructed vision
- Includes a heavy-duty deep-cycle battery and a 10 amp automatic built-in charger
- Safety bypass valve to prevent overloading on vertical lift
- All units exceed ASME B53.10 and ANSI Z535 specifications
- Hydraulic check valve on lift cylinder



3 rows of rollers



Full width rollers

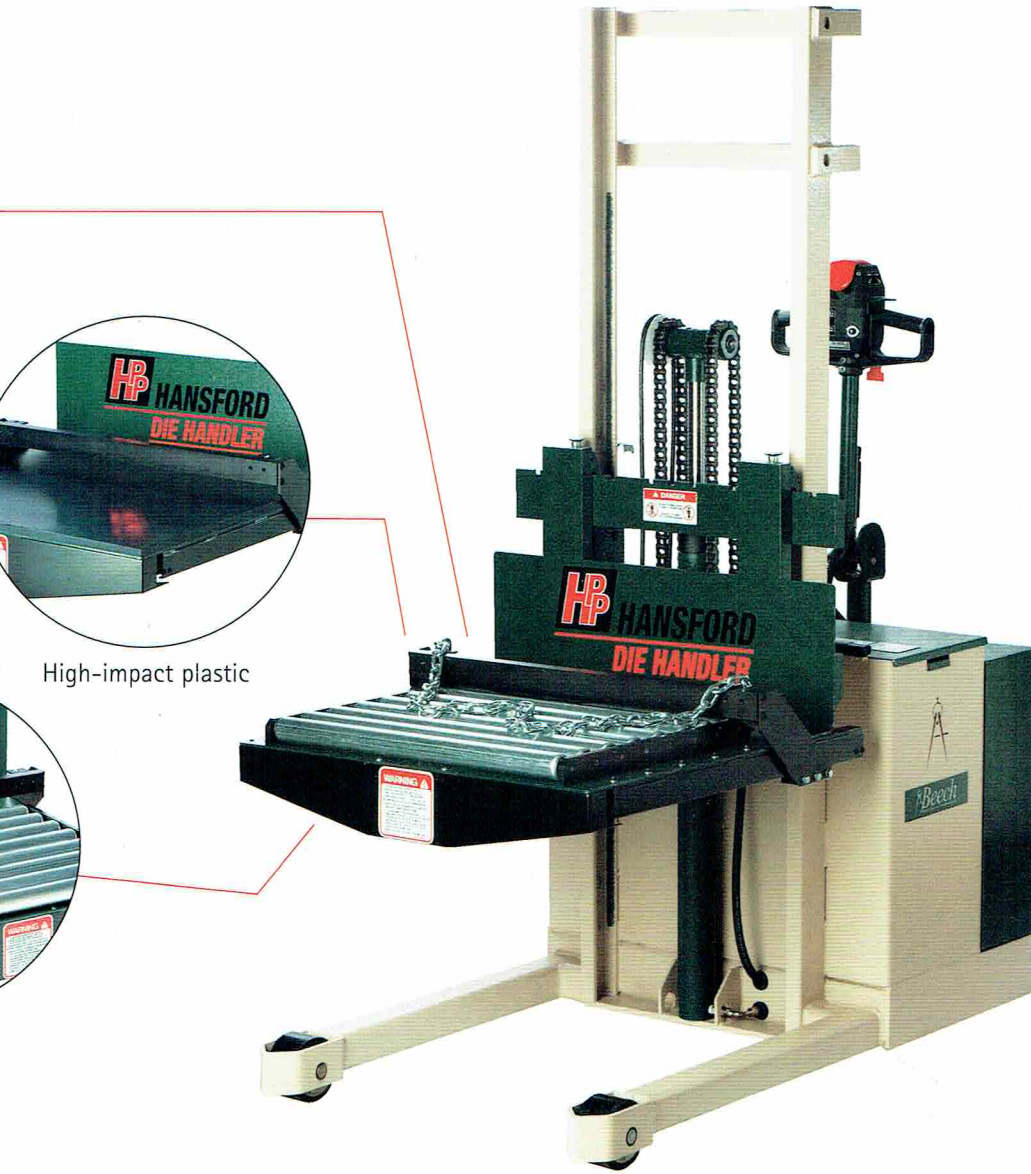
Specifications

Model Number	Wheel Sizes		* Platform Length Dim. A	* Platform Width Dim. B	Legs ID	Legs OD	* Overall Length Dim. C	* Overall Height Dim. D	Load Center	Platform Lowered Height	Platform Raised Height	Machine Weight
	Front	Rear										
MSE 3058	5"x2"	4"x2"	30"	32"	25"	33"	44 1/4"	72"	18"	10 1/2"	58"	515 lbs.
MSE 3070	5"x2"	4"x2"	30"	32"	25"	33"	44 1/4"	82"	18"	10 1/2"	70"	535 lbs.
MSE 3080	5"x2"	4"x2"	30"	32"	25"	33"	44 1/4"	92"	18"	10 1/2"	80"	550 lbs.

* See illustration on back page

Note: Guards may have been removed for illustrative purposes

POWERED WALK BEHIND



High-impact plastic

Features

- 2,500 lbs. capacity at 18" load center
- Welded and utilized platform with fork support
- 2 roller lift chains - 9,000 lbs. yield each
- Full feature tiller handle with keylock switch, stepless forward/reverse control, lift and lower control, horn button, safety belly button switch
- 225 AH batteries with 25 amp on-board charger with powered vent, battery indicator, hour meter, low charge lift limit
- 24v operation, emergency disconnect button
- Powered push/pull mechanism for die load/unload
- Hydraulic check valve on lift cylinder

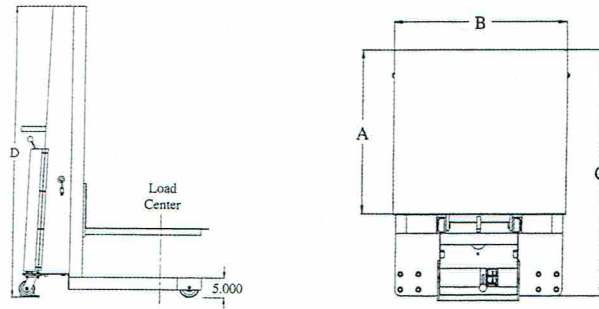
Specifications

Model Number	Wheel Size		* Platform Length Dim. A	* Platform Width Dim. B	Legs ID	Legs OD	* Overall Length Dim. C	* Overall Height Dim. D	Load Center	Platform Lowered Height	Platform Raised Height	Machine Weight	Maximum Die Weight
	Front	Drive											
PWB 3063	5"x3"	10"x3"	30"	32"	24 5/8"	32 1/2"	63"	81"	18"	11"	63"	1,850 lbs.	2,500 lbs.

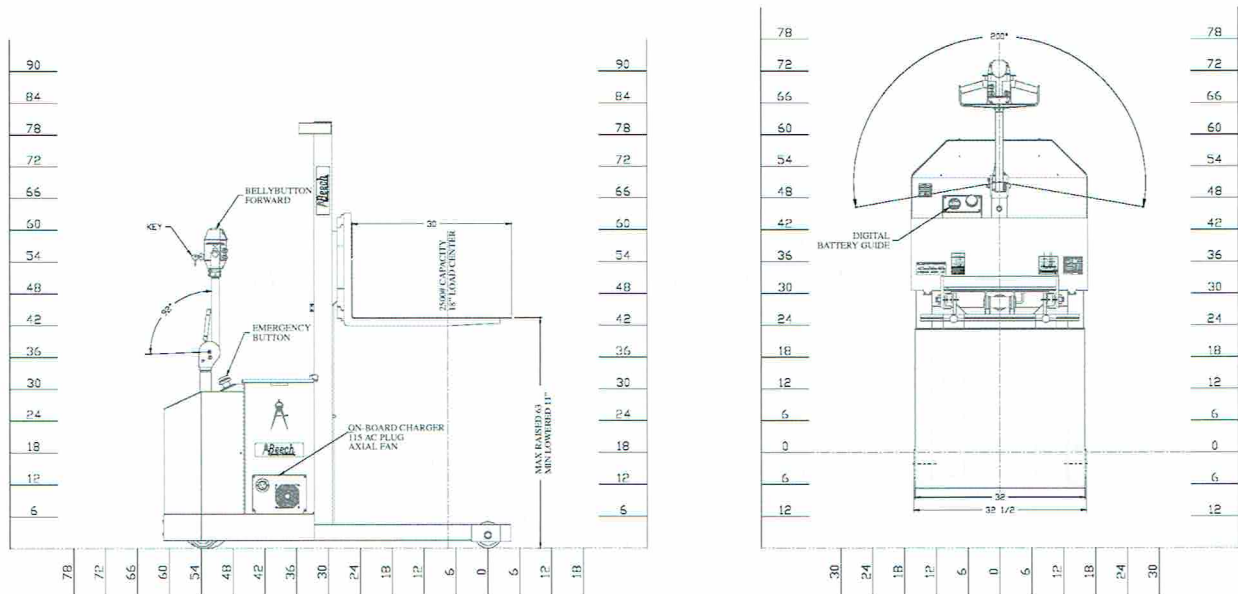
* See illustration on back page

Note: Guards may have been removed for illustrative purposes

Manual Walk Behind Series



Powered Walk Behind Series



Warranty

Hansford warrants the workability of the Die Cart under normal use, for a period of one (1) year. Hansford Parts and Products warranty is limited to the replacement of defective parts and specifically excludes all claims for consequential damages as defined in Section 2-715 of the Uniform Commercial Code. There are no other warranties.

Warning

To prevent serious bodily injury:

- Never place any part of your body near moving parts of these machines.
- Never wear loose clothing that could become tangled or caught in moving parts.
- Never operate or maintain any of our machines without proper instructions.
- It is the employer's responsibility to implement the above and also to provide proper guards, devices, or means that may be necessary if required for any particular use, operation, set-up, or service of these machines.



Visit our website at www.hpproc.com, or call 315-986-1000. Hansford Parts and Products, serving the manufacturing community with quality and integrity for more than 25 years.

back - saving

die handling